



SPARTAN
FOREST PRODUCTS

Pre-Finished

**THERMALLY
MODIFIED
CLADDING**

**Nickel Gap
T&G Profile**

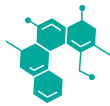
APPLICATIONS

Interior & exterior.
Exterior siding & soffit.
Ceilings & accent walls.

- Size: 1" x 6"
- Texture: Smooth
- Finish:
CUTEK® Extreme
Color-Clear, All Sides



WHY THERMAPRO WOOD CLADDING



Stable & Solid

Expansion and contraction reduced up to 60%. Resists warping, cupping.



Eco-Friendly

Non-toxic, chemical free process brings out the natural beauty of wood. Sustainable building material.



Decay Resistant

Less water absorption means a higher resistance to rot, mold and decay.



Pre-Finished

Pre-Oiled all sides with Cutek Extreme Clear. UV additives available to retain initial wood color.

CLADDING UNITS

10 ft. Unit = 960 sqft | 1920 LF

14 ft. Unit = 1344 sqft | 2688 LF

16 ft. Unit = 960 sqft | 1920 LF



www.spartanforest.com



(336) 574-0111



sales@spartanforest.com

Technical Data

PRE-FINISHED THERMALLY MODIFIED CLADDING

Actual Size:

11/16" Thick | 5 3/8" Wide

Lengths:

8' - 16'

Species:

S. Yellow Pine

Finishing:

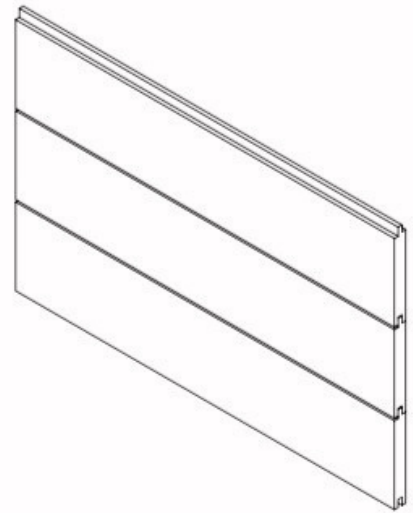
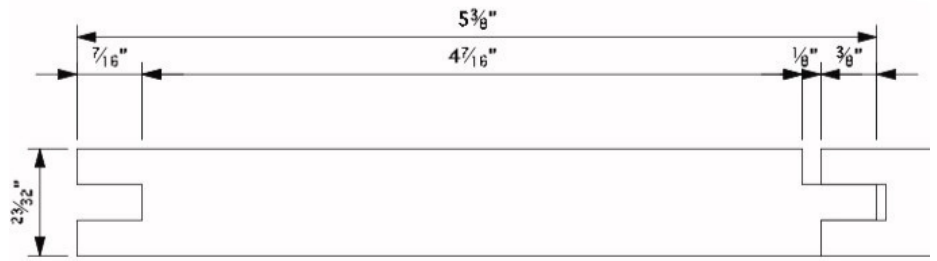
CUTEK® Extreme CD50

- Factory Applied
- Clear - Standard

Customizations:

- End Match Profile
- 6 Custom UV Colortones

Manufacturer:




PRE-FINISHING

CUTEK® Extreme Wood Preservative is a high-performance oil based wood stabilizer that penetrates deep into the wood to minimize warping, cupping and splitting. Clear Cutek slows the silvering process. Custom UV protectant Colortones help retain wood coloring. Maintenance coats every 5 years will restore and/or maintain wood coloring.




Shown on Southern Yellow Pine

 (336) 574-0111

 sales@spartanforest.com

 www.spartanforest.com

 York, PA